

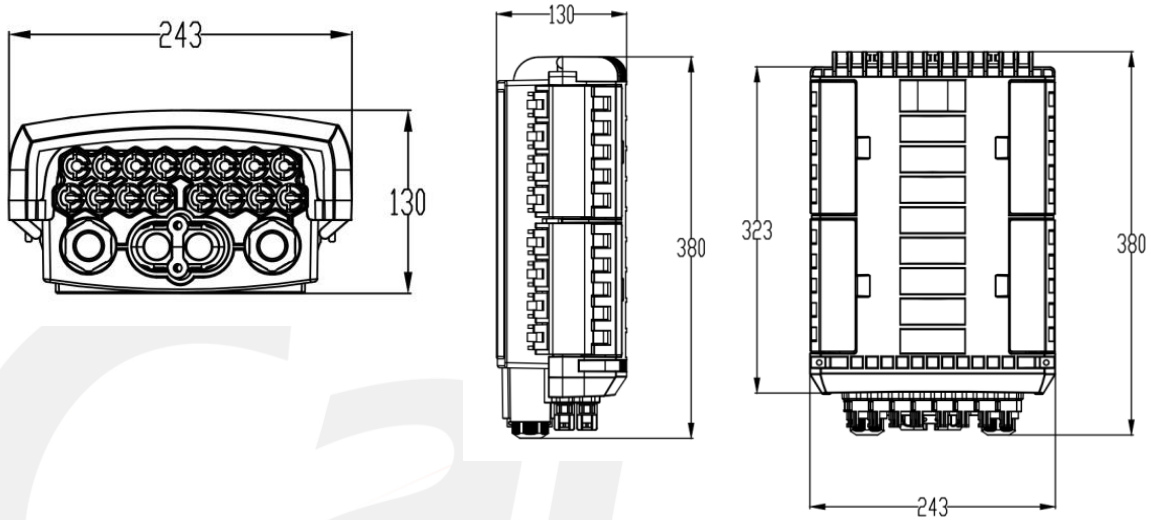
## DESCRIPTION

The OTB-0616AOHDK-R is a Distribution or Termination box, allowing two different configurations according to the application, it allows up to 4 splice trays with 12 supports each) and adapter panel of up to 24 SC adapters. It is possible to install up to 3 connectorized splitters in the 1x8 SC outputs for network expansion or just one 1x16 SC level. Through its oval door it is possible to bleed the main cable, as well as secondary ports, allowing bypassing the network. Drop cables can be 3.0 x 2.0 mm flat.



Connector and Adaptor are NOT INCLUDED

### DIMENSION DRAWING



### FEATURES

- The body is made of high-quality engineering plastic with good strength;
- With safe special-shaped lock, the box can be opened easily and has good water-proof performance, suitable for indoor and outdoor natural environments
- With the independent rubber sealing plug for drop cable, better waterproof performance
- With independent design, the box can be installed and maintained easily,
- the fusion and termination are completely separated The drop leaf can be installed 2 pcs of 1\*8 tube splitter

|                     |                 |                             |                                 |
|---------------------|-----------------|-----------------------------|---------------------------------|
| Model No.           | OTB-0648AOHDK-R | Color                       | Black                           |
| Capacity            | 24 Ports        | Protection Level            | IP68                            |
| Material            | ABS             | Flame retardant performance | Non-flame retardant             |
| Dimension(L*W*D,MM) | 380*243*130     | Splitter                    | Can be with 2x1:8 tube splitter |