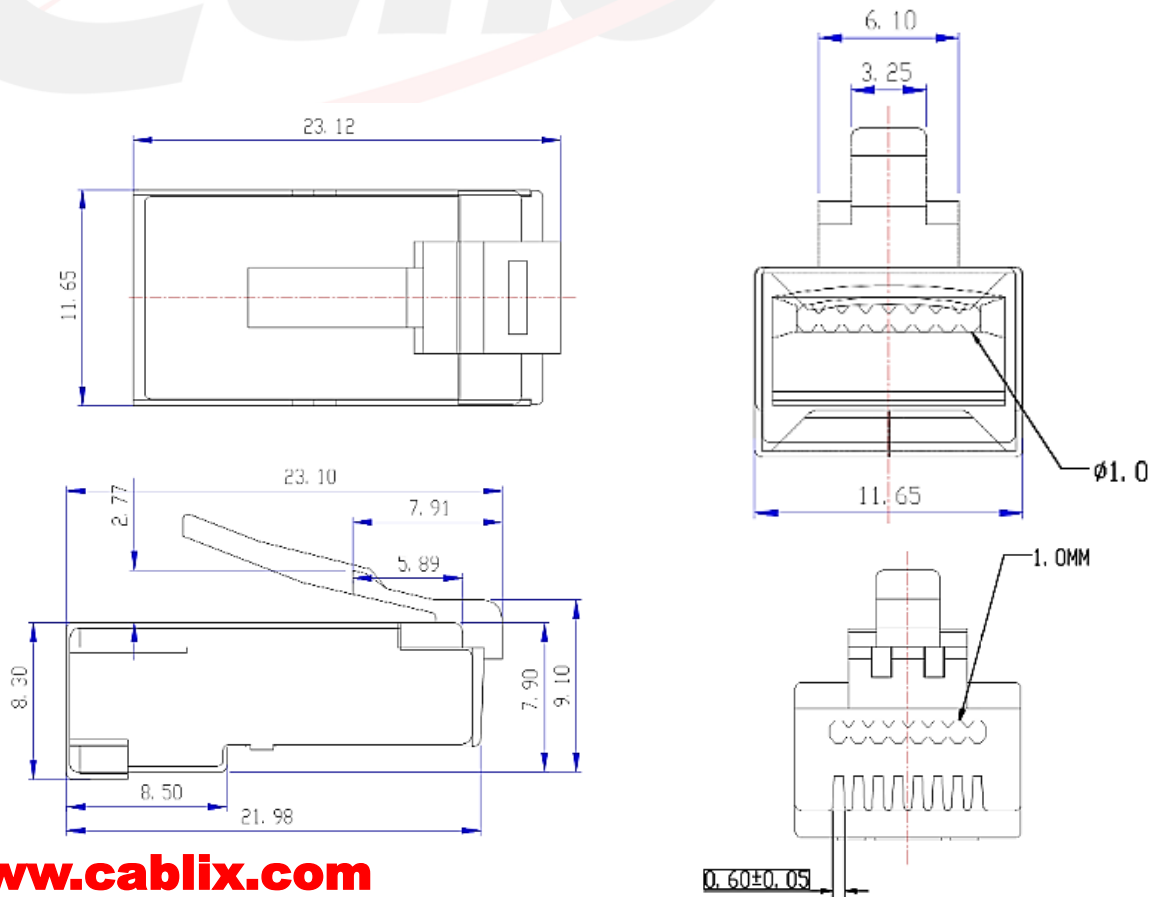


Connector Male, cat5e, RJ45 Shielded crimp, 8P8C, 2 prong, 6 um gold, Passthrough - PKT 100 units each
May 2022





MMES-XX-100

Connector Male, cat5e, RJ45 Shielded crimp, 8P8C, 2 prong, 6 um gold, Passthrough - PKT 100 units each

Features:

1. Electrical test:
 - 250V AC max at 2 amps
 - Dielectric with standing 500V AC
 - Insulation Resistance: 500 megaohms
 - Termination Resistance: 35 megaohms
2. Mechanical:
 - Cable to plug tensile strength – 20 lbs (89n) min
 - Durabilidad: 500 mating cycles

The Cat5e transmission performance is in compliance with the ANSI/TIA 568 C.2 standard.

Package with 100 connectors

APPLICATIONS

FTTH access network / Telecommunication Networks / CATV Networks / Data communications Networks / Local Area Networks



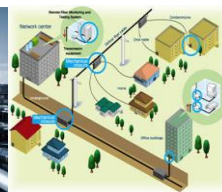
STREET



HOSPITAL



INDUSTRIES



FTTH



OTHERS