

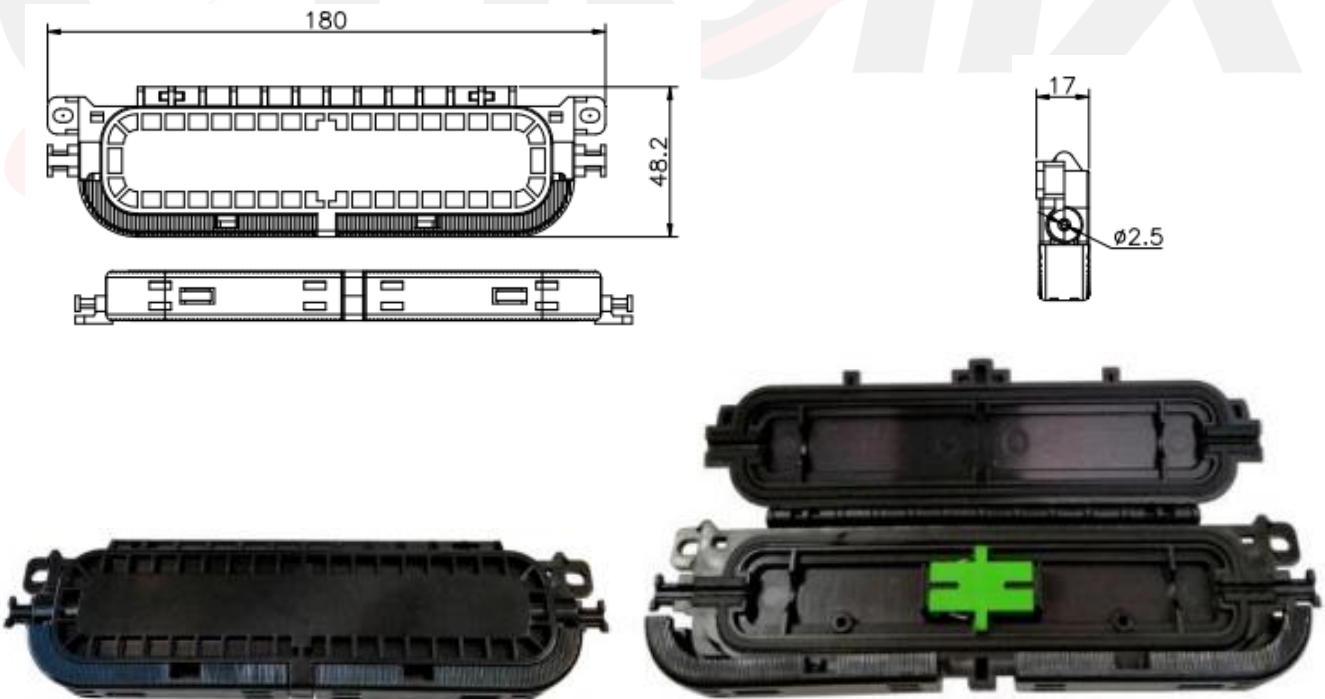
Is a fiber optic drop cable protection box that used for drop cable connecting, splice and protection. It can install 1pc SC simplex adapter and 2pcs fast connector connection inside. The box is made of high quality ABS material, and with sealing gasket between box cover and base for waterproof application. Both side can lead in/out 2*3mm FTTH drop cable or 3mm round cable.

Feature

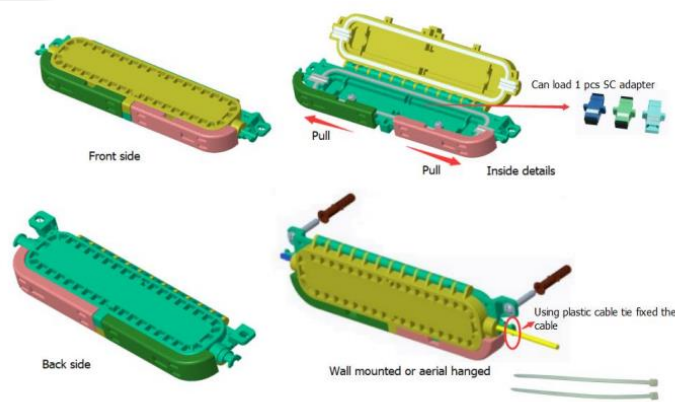
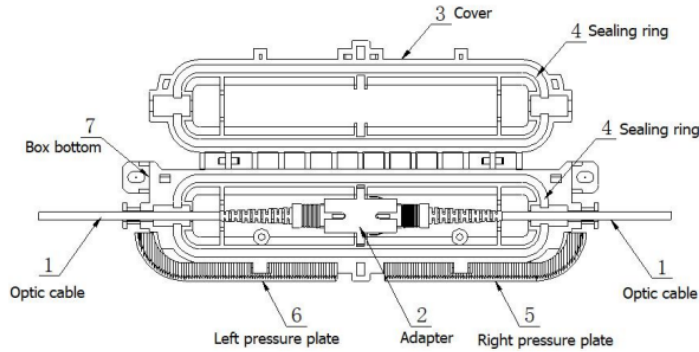
1. Fast connecting, Waterproof IP68 (waterproof under 0.3m water)
2. Small size, nice shape, convenient Installation.
3. Splice contact protection is stable & reliable, Protect cable from damage by external force.
4. Outdoor wall-mount & aerial hanged application.

Specification:

1. Size: 180*48.2*17mm
2. Material: High quality ABS Material



NOT INCLUDE ADAPTER



ACCESSORIES

Description	Specification	Unit Qty
Round head tapping screw	1 M3*6	2
Flat washer	Φ3	2
Wall mount screws (Round head with self-tapping screws)	M4*25	2
Wall mount plugs	4 Φ6mm/plastic material	2
Plastic Cable tie	3mm*120mm	2

APPLICATIONS

FTTH access network / Telecommunication Networks / CATV Networks / Data communications Networks / Local Area Networks



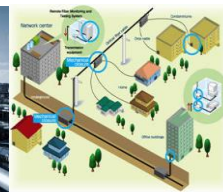
STREET



HOSPITAL



INDUSTRIES



FTTH



OTHERS