

DESCRIPTION

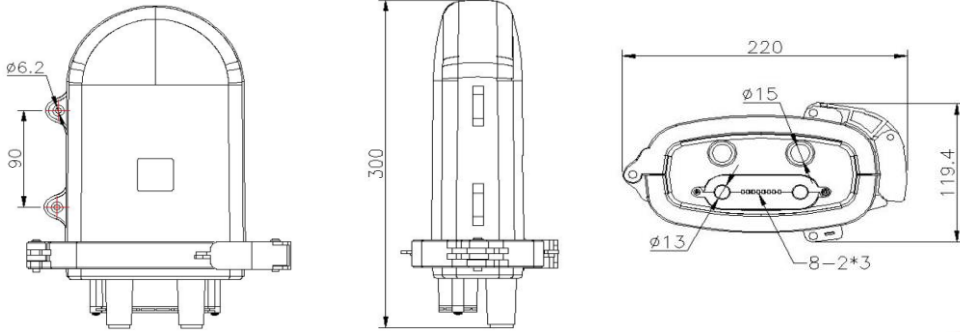
OSCV-24A is a dome type fiber optic splice closure that can load 1pc PLC 1:8 splitter and 9pcs SC simplex adapters for fiber splicing & distribution.

FEATURES

- 1pc splice tray, max. 24 fibers
- Cable port: 1pcs round port $\phi 15\text{mm}$, 1pcs round port $\phi 13\text{mm}$, 8pcs 2*3mm drop cable ports.
- The 2 cable ports are heat shrink sealing.
- Cable entry without cutting.
- Outdoor aerial hanger and pole holding.
- Material: high impact resistance PP materials with UV
- Can load 1pc PLC 1:8 splitter and 9pcs SC simplex adapters



MEASURES:



ACCESSORIES:

Item	Specification	Qty
Heat protect shrinkable sleeve	L=60mm	As per using capacity
Cable tie	L=120mm	6pcs
Heat shrinkable cable tube	Φ30*120mm, black	2pcs
Aerial hanged	Stainless steel	1 set

APPLICATIONS

FTTH access network / Telecommunication Networks / CATV Networks /
Data communications Networks / Local Area Networks



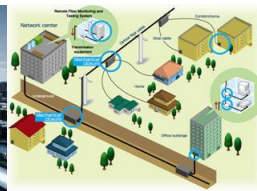
STREET



HOSPITAL



INDUSTRIES



FTTH



OTHERS