

DESCRIPTION

OSCH-120 has 4 fiber cable in-out round ports for diameter $\Phi 7$ - $\Phi 18$ mm cable entry. It is widely applied to the splicing and distributing variable optical cables. It is made of ABS plastic and with the mechanical sealing structure filled with the sealing material. It can be opened after sealing.

SPECIFICATION:

- Dimension (mm): 424x175.8x106
- Weight (Kg) : About 2.2
- Cable diameter(mm) $\Phi 7$ - $\Phi 18$
- Cable entry ports 2 in & 2 out
- Quantity of fiber splice tray 5 pcs
- Capacity 120 fibers
- Sealing structure Sticky cincture or silicon gum material.
- Light weight, compact structure.
- IP Protection Level: IP 65



APPLICATIONS

FTTH access network / Telecommunication Networks / CATV Networks / Data communications Networks / Local Area Networks



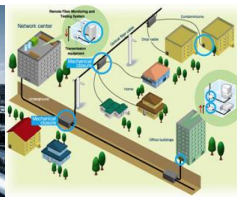
STREET



HOSPITAL



INDUSTRIES

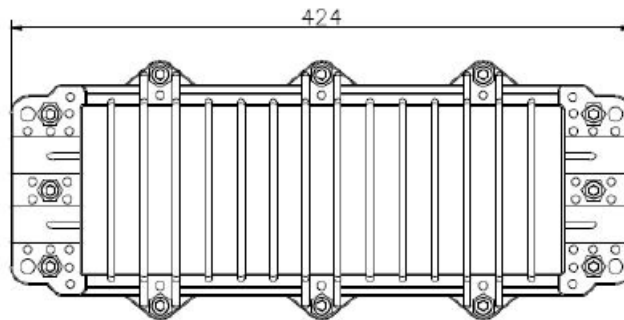
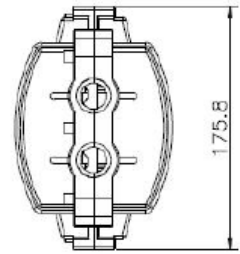
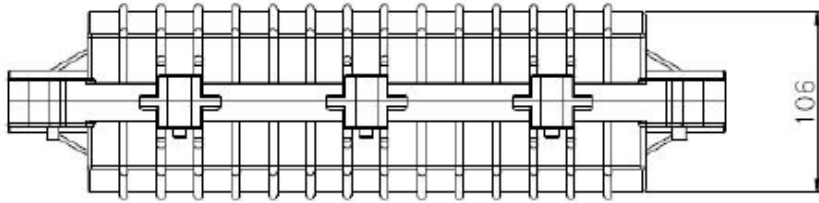


FTTH



OTHERS

MEASURES:



SPECIFICATIONS

| MODEL | MAX.CAPACITY | DIMENSION | MATERIAL | SPLICE TRAY |
|----------|--------------|---------------|----------|--------------|
| OSCH-120 | 120 | 424x175.8x106 | ABS | 5PCS x 24 FO |